



# MASTER LEDspot LV

## MASTER LED 8-50W+ 827 MR16 24D Dim

Delivering intense accent beam, MASTER LEDspot LV is an ideal retrofit solution for spot lighting. MASTER LEDspot LV is designed to replace halogen or incandescent spots. It realizes natural colors, enables cozy and comfortable ambience for residential, hospitality and emphasizes the beauty of merchandise in retail. New smaller housing provides perfect fitting with majority of luminaires in a market with a MR16 GU 5.3 holder. It not only employs Philips' patented solution to guarantee the broadest possible compatibility with standard 12V halogen electronic transformers, it also delivers high beam intensity which is equivalent to halogen MR16 spots. The dimming function enables to create the desired atmosphere and it works with broad selection of dimmers. Its high SDCM ensure stricter color consistency, that is maintained over product life. MASTER LEDspot LV delivers huge energy savings and minimizes maintenance cost without any compromise on light quality and lifetime, enabling residential and business owners to achieve a return on their investment within short period time.

### Product data

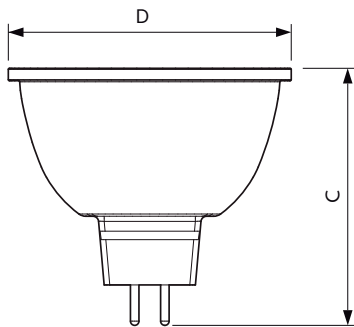
General Information		Color Designation	
Cap-Base	GU5.3 [ GU5.3]	Color Designation	Warm White (WW)
RoHS mark	RoHS mark	Rated Beam Angle	24 °
Nominal Lifetime (Nom)	40000 h	Correlated Color Temperature (Nom)	2700 K
Switching Cycle	50000X	Luminous Efficacy (rated) (Nom)	82.00 lm/W
Technical Type	8-50W	Color Consistency	<4
		Color Rendering Index (Nom)	80
		LLMF At End Of Nominal Lifetime (Nom)	70 %
Light Technical		Operating and Electrical	
Color Code	827 [ CCT of 2700K]	Power (Rated) (Nom)	8 W
Beam Angle (Nom)	24 °	Lamp Current (Nom)	960 mA
Luminous Flux (Nom)	660 lm	Wattage Equivalent	50 W
Luminous Flux (Rated) (Nom)	660 lm	Starting Time (Nom)	0.5 s
Luminous Intensity (Nom)	3100 cd		

# MASTER LEDspot LV

Warm Up Time to 60% Light (Nom)	0.5 s
Power Factor (Nom)	0.7
Voltage (Nom)	12 V
<b>Temperature</b>	
T-Case Maximum (Nom)	100 °C
<b>Controls and Dimming</b>	
Dimmable	Yes
<b>Approval and Application</b>	
Energy Efficiency Label (EEL)	A+
Suitable For Accent Lighting	Yes

Energy Consumption kWh/1000 h	9 kWh
<b>Product Data</b>	
Full product code	871869681255600
Order product name	MASTER LED 8-50W+ 827 MR16 24D Dim
EAN/UPC - Product	8718696812556
Order code	929001881308
Numerator - Quantity Per Pack	1
Numerator - Packs per outer box	10
Material Nr. (12NC)	929001881308
Net Weight (Piece)	0.052 kg

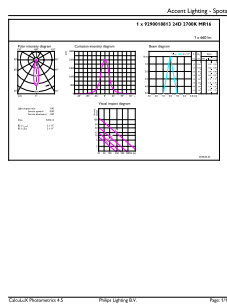
## Dimensional drawing



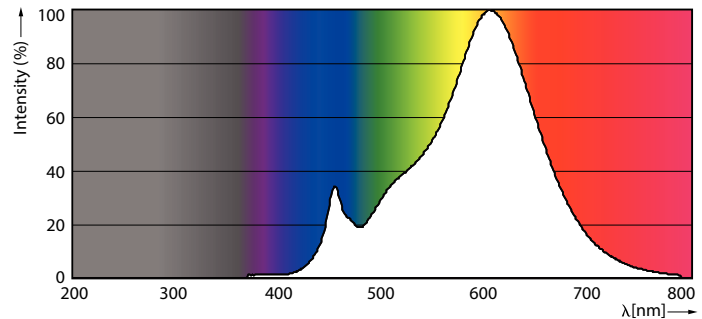
MR16 12V 8-50W 621lm 24D 2700K GU5.3 D

Product	D	C
MASTER LED 8-50W+ 827 MR16 24D Dim	50.5 mm	46.5 mm

## Photometric data



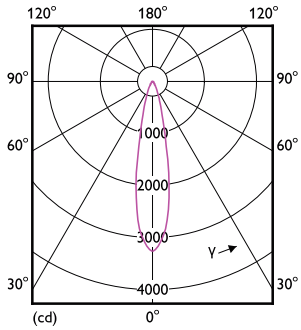
8-50W GU5-3 MR16 24D 827 2700K



8-50W GU5-3 MR16

# MASTER LEDspot LV

## Photometric data

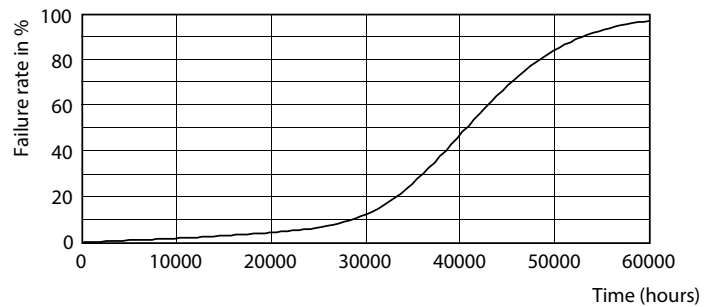


8-50W GU5-3 MR16 24D 827 2700K

## Lifetime



7-50W GU5-3 MR16



7-50W GU5-3 MR16

