



# MASTER LEDspot LV

## MASTER LED 7-50W 927 MR16 36D Dim

Delivering intense accent beam, MASTER LEDspot LV is an ideal retrofit solution for spot lighting. MASTER LEDspot LV is designed to replace halogen or incandescent spots. It realizes natural colors, enables cozy and comfortable ambience for residential, hospitality and emphasizes the beauty of merchandise in retail. New smaller housing provides perfect fitting with majority of luminaires in a market with a MR16 GU 5.3 holder. It not only employs Philips' patented solution to guarantee the broadest possible compatibility with standard 12V halogen electronic transformers, it also delivers high beam intensity which is equivalent to halogen MR16 spots. The dimming function enables to create the desired atmosphere and it works with broad selection of dimmers. Its high SDCM ensure stricter color consistency, that is maintained over product life. MASTER LEDspot LV delivers huge energy savings and minimizes maintenance cost without any compromise on light quality and lifetime, enabling residential and business owners to achieve a return on their investment within short period time.

### Product data

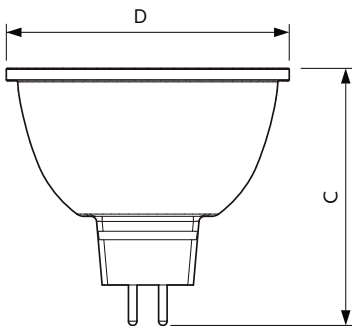
General Information		Correlated Color Temperature (Nom)	
Cap-Base	GU5.3 [ GU5.3]		2700 K
EU RoHS compliant	Yes	Luminous Efficacy (rated) (Nom)	71.00 lm/W
Nominal Lifetime (Nom)	40000 h	Color Consistency	<4
Switching Cycle	50000X	Color Rendering Index (Nom)	90
Technical Type	7-50W	LLMF At End Of Nominal Lifetime (Nom)	70 %
Light Technical		Operating and Electrical	
Color Code	927	Input Frequency	- Hz
Beam Angle (Nom)	36 °	Power (Rated) (Nom)	7 W
Luminous Flux (Nom)	500 lm	Lamp Current (Nom)	830 mA
Luminous Intensity (Nom)	1400 cd	Wattage Equivalent	50 W
Color Designation	Warm White (WW)	Starting Time (Nom)	0.5 s
		Warm Up Time to 60% Light (Nom)	0.5 s

# MASTER LEDspot LV

Power Factor (Nom)	0.7
Voltage (Nom)	12 V
<b>Temperature</b>	
T-Case Maximum (Nom)	90 °C
<b>Controls and Dimming</b>	
Dimmable	Yes
<b>Approval and Application</b>	
Energy Efficiency Label (EEL)	A
Suitable For Accent Lighting	Yes
Energy Consumption kWh/1000 h	8 kWh

<b>Product Data</b>	
Full product code	871869681233400
Order product name	MASTER LED 7-50W 927 MR16 36D Dim
EAN/UPC - Product	8718696812334
Order code	929001880108
Numerator - Quantity Per Pack	1
Numerator - Packs per outer box	10
Material Nr. (12NC)	929001880108
Net Weight (Piece)	0.052 kg

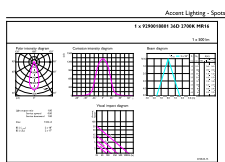
## Dimensional drawing



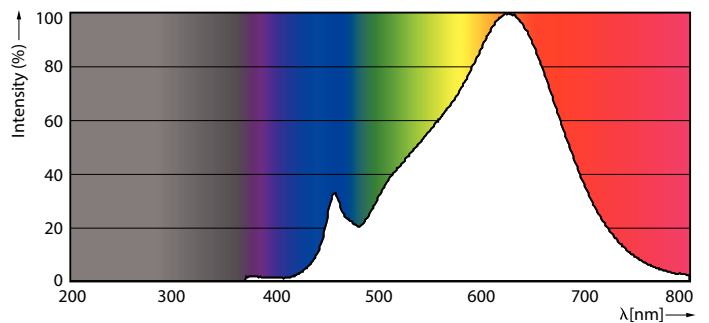
MR16 12V 7-35W 400lm 36D 2700K GU5.3 D

Product	D	C
MASTER LED 7-50W 927 MR16 36D Dim	50.5 mm	46.5 mm

## Photometric data



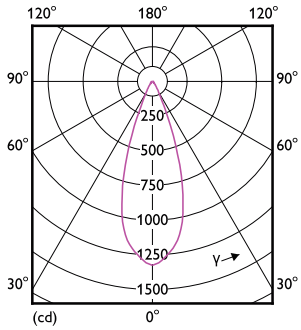
7-50W GU5-3 MR16 36D 927 2700K



7-50W GU5-3 MR16

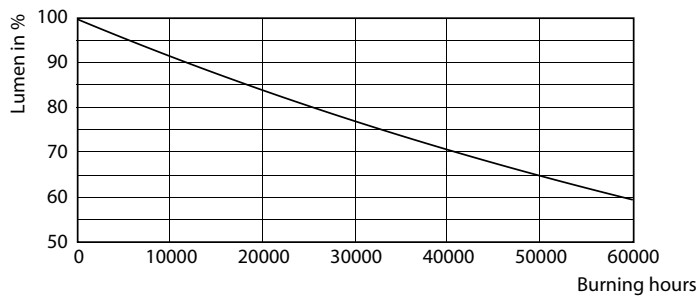
# MASTER LEDspot LV

## Photometric data

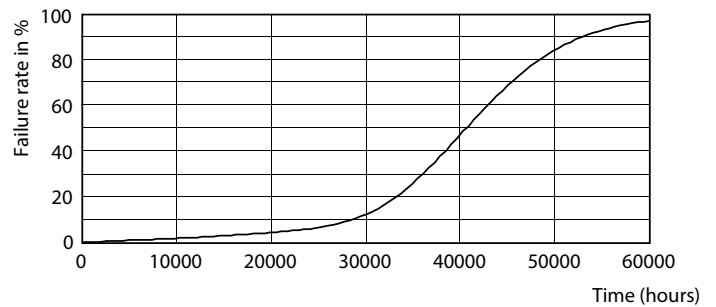


7-50W GU5-3 MR16 36D 927 2700K

## Lifetime



7-50W GU5-3 MR16



7-50W GU5-3 MR16

