



# MASTER LEDspot ExpertColor LV

## MASTER LED MR16 ExpertColor 7.2-50W 930 36D

MASTER LEDspot LV ExpertColor creates a warm and comfortable ambience for hospitality venues, homes and restaurants. It creates such an ambience with superior lighting that has a customized spectrum, high CRI, and deep dimming feature. The result? A beautiful lighting experience. What's more, the innovative, trimless lens design will suit almost any interior decor with its clean and neat look. In addition, you can take advantage of the full ExpertColor family, which also includes LEDspot MV and LEDspot Par lamps.

### Product data

| General Information                |                     |
|------------------------------------|---------------------|
| Cap-Base                           | GU5.3 [ GU5.3]      |
| EU RoHS compliant                  | Yes                 |
| Nominal Lifetime (Nom)             | 40000 h             |
| Switching Cycle                    | 50000X              |
| Technical Type                     | 7.2-50W             |
| Light Technical                    |                     |
| Color Code                         | 930 [ CCT of 3000K] |
| Beam Angle (Nom)                   | 36 °                |
| Luminous Flux (Nom)                | 480 lm              |
| Luminous Intensity (Nom)           | 1450 cd             |
| Color Designation                  | White (WH)          |
| Correlated Color Temperature (Nom) | 3000 K              |
| Luminous Efficacy (rated) (Nom)    | 66.67 lm/W          |
| Color Consistency                  | <3                  |
| Color Rendering Index (Nom)        | 97                  |

| LLMF At End Of Nominal Lifetime (Nom) 70 % |        |
|--|--------|
| Operating and Electrical                   |        |
| Input Frequency                            | - Hz   |
| Power (Rated) (Nom)                        | 7.2 W  |
| Lamp Current (Nom)                         | 800 mA |
| Wattage Equivalent                         | 50 W   |
| Starting Time (Nom)                        | 0.5 s  |
| Warm Up Time to 60% Light (Nom)            | 1 s    |
| Power Factor (Nom)                         | 0.7    |
| Voltage (Nom)                              | 12 V   |
| Temperature                                |        |
| T-Case Maximum (Nom)                       | 92 °C  |
| Controls and Dimming                       |        |
| Dimmable                                   | Yes    |

# MASTER LEDspot ExpertColor LV

## Approval and Application

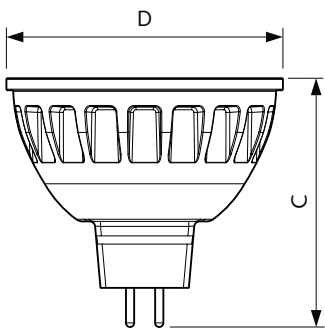
|                               |                |
|-------------------------------|----------------|
| Energy Efficiency Label (EEL) | Not applicable |
| Energy Saving Product         | Yes            |
| Suitable For Accent Lighting  | Yes            |
| Energy Consumption kWh/1000 h | - kWh          |

## Product Data

|                    |   |
|--------------------|---|
| Full product code  | 694793912161800                             |
| Order product name | MASTER LED MR16 ExpertColor 7.2-50W 930 36D |

|                                 |               |
|---------------------------------|---------------|
| EAN/UPC - Product               | 6947939121618 |
| Order code                      | 929001242610  |
| Numerator - Quantity Per Pack   | 1             |
| Numerator - Packs per outer box | 10            |
| Material Nr. (12NC)             | 929001242610  |
| Net Weight (Piece)              | 0.034 kg      |

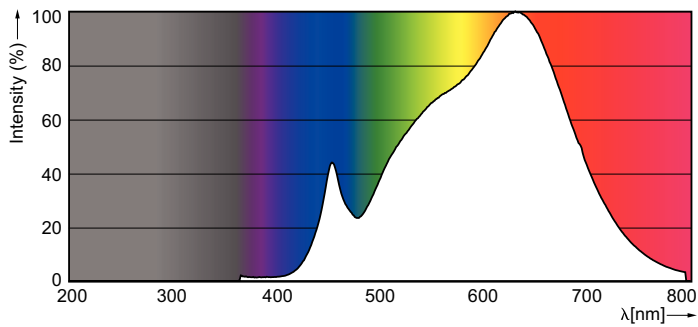
## Dimensional drawing



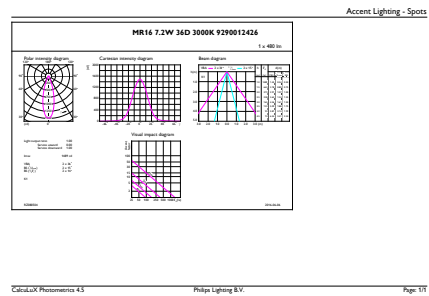
MR16 12V 7.2-50W 420lm 36D 3000K GU5.3 D

| Product                                     | D     | C     |
|---|-------|-------|
| MASTER LED MR16 ExpertColor 7.2-50W 930 36D | 51 mm | 46 mm |

## Photometric data



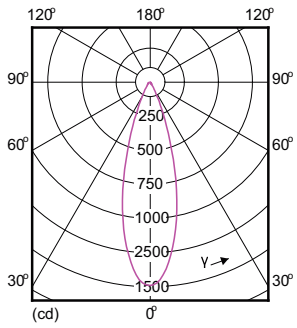
MAS LED ExpertColor 7.2-50W MR16 GU5.3 930



MAS LED ExpertColor 7.2-50W MR16 GU5.3 930 36D

# MASTER LEDspot ExpertColor LV

## Photometric data



MAS LED ExpertColor 7.2-50W MR16 GU5.3 930 36D

