



MASTER LEDspot LV AR111

MAS LEDspotLV D 20-100W 840 AR111 24D

Delivering a warm, halogen-like accent beam, MASTER LEDspot LV AR111 is an ideal retrofit solution for spot and general lighting applications in the hospitality and retail industry. It is particularly suitable for general lighting where the light is on all the time, such as creative accent lighting applications in shops, restaurants, hotels, and especially for galleries, exhibitions and museums. The robustly designed MASTER LEDspot LV AR111 offers various beam angles for a clearly defined beam spread. There is no UV or IR in the beam, making it suitable for illuminating heat-sensitive objects (food, organic materials, paintings, etc.). The patented intelligent driver enables broad compatibility with existing electromagnetic and electronic halogen transformers. MASTER LEDspot LV AR111 delivers huge energy savings and minimizes maintenance cost without any reduction in brightness.

Product data

General Information	
Cap-Base	G53 [G53]
EU RoHS compliant	Yes
Nominal Lifetime (Nom)	25000 h
Switching Cycle	50000X
Technical Type	20-100W
Light Technical	
Color Code	841 [CCT of 4100K (841)]
Beam Angle (Nom)	24 °
Luminous Flux (Nom)	1400 lm
Luminous Intensity (Nom)	6100 cd
Color Designation	Cool White (CW)
Correlated Color Temperature (Nom)	4000 K

Luminous Efficacy (rated) (Nom)	70.00 lm/W
Color Consistency	<6
Color Rendering Index (Nom)	80
LLMF At End Of Nominal Lifetime (Nom)	70 %
Operating and Electrical	
Input Frequency	- Hz
Power (Rated) (Nom)	20 W
Lamp Current (Nom)	2400 mA
Wattage Equivalent	100 W
Warm Up Time to 60% Light (Nom)	0.5 s
Power Factor (Nom)	0.7
Voltage (Nom)	12 V

MASTER LEDspot LV AR111

Temperature

T-Case Maximum (Nom)	80 °C
----------------------	-------

Controls and Dimming

Dimmable	Yes
----------	-----

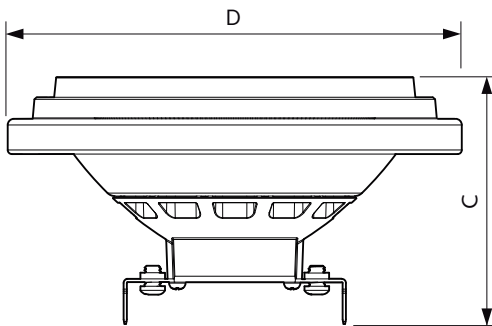
Approval and Application

Energy Efficiency Label (EEL)	A
Suitable For Accent Lighting	Yes
Energy Consumption kWh/1000 h	22 kWh

Product Data

Full product code	871869651739000
Order product name	MAS LEDspotLV D 20-100W 840 AR111 24D
EAN/UPC - Product	8718696517390
Order code	929001171008
Numerator - Quantity Per Pack	1
Numerator - Packs per outer box	6
Material Nr. (12NC)	929001171008
Net Weight (Piece)	0.360 kg

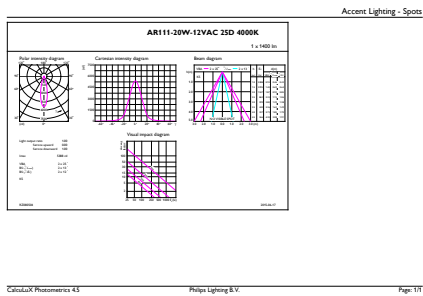
Dimensional drawing



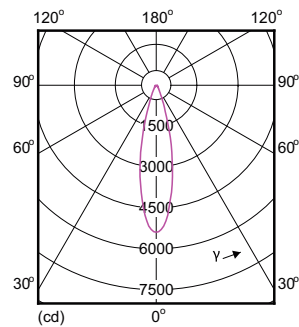
MAS LEDspot LV D 20-100W 840 AR111 24D

Product	D	C
MAS LEDspotLV D 20-100W 840 AR111 24D	111 mm	62 mm

Photometric data



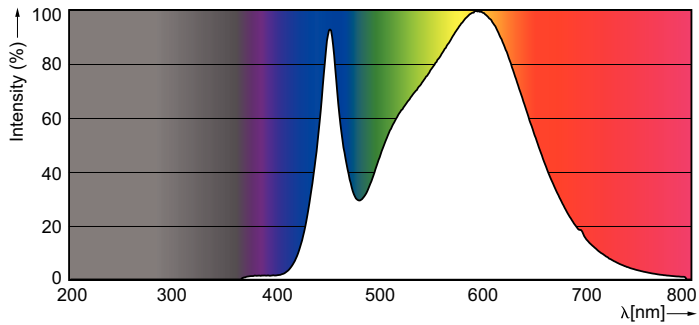
MASTER LEDspotLV 20-100W AR111 G53_4000K 1400lm 24D



MASTER LEDspotLV 20-100W AR111 G53_4000K 1400lm 24D

MASTER LEDspot LV AR111

Photometric data

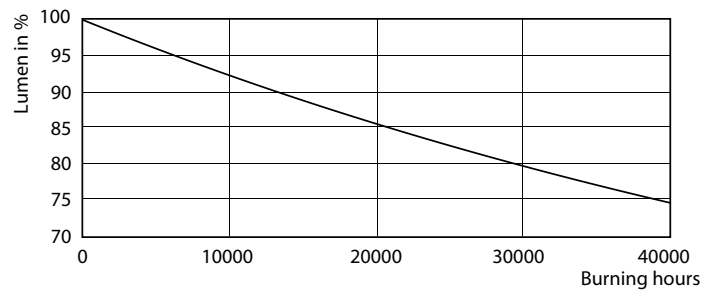


20-100W AR111 /840

Lifetime



MASTER LEDspotLV AR111 100W G53 40D



MASTER LEDspotLV AR111 100W G53 40D

