



# MASTER LEDspot LV AR111

## MAS LEDspotLV D 15-75W 930 AR111 24D

Delivering a warm, halogen-like accent beam, MASTER LEDspot LV AR111 is an ideal retrofit solution for spot and general lighting applications in the hospitality and retail industry. It is particularly suitable for general lighting where the light is on all the time, such as creative accent lighting applications in shops, restaurants, hotels, and especially for galleries, exhibitions and museums. The robustly designed MASTER LEDspot LV AR111 offers various beam angles for a clearly defined beam spread. There is no UV or IR in the beam, making it suitable for illuminating heat-sensitive objects (food, organic materials, paintings, etc.). The patented intelligent driver enables broad compatibility with existing electromagnetic and electronic halogen transformers. MASTER LEDspot LV AR111 delivers huge energy savings and minimizes maintenance cost without any reduction in brightness.

### Product data

| General Information                |                     |
|------------------------------------|---------------------|
| Cap-Base                           | G53 [ G53]          |
| EU RoHS compliant                  | Yes                 |
| Nominal Lifetime (Nom)             | 40000 h             |
| Switching Cycle                    | 50000X              |
| Technical Type                     | 15-75W              |
| Light Technical                    |                     |
| Color Code                         | 930 [ CCT of 3000K] |
| Beam Angle (Nom)                   | 24°                 |
| Luminous Flux (Nom)                | 840 lm              |
| Luminous Intensity (Nom)           | 4000 cd             |
| Color Designation                  | White (WH)          |
| Correlated Color Temperature (Nom) | 3000 K              |

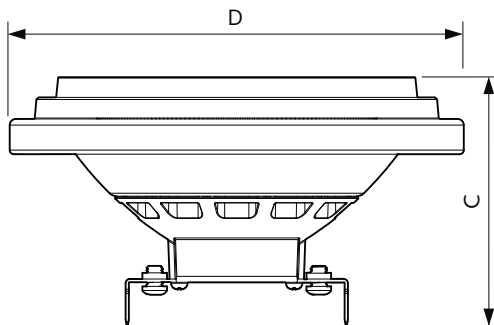
| Luminous Efficacy (rated) (Nom)       | 56.00 lm/W         |
|---------------------------------------|--------------------|
| Color Consistency                     | <6                 |
| Color Rendering Index (Nom)           | 90                 |
| LLMF At End Of Nominal Lifetime (Nom) | 70 %               |
| Luminous Flux in 90° Cone (Rated)     | 770 lm             |
| Operating and Electrical              |                    |
| Input Frequency                       | - Hz               |
| Power (Rated) (Nom)                   | 15 W               |
| Lamp Current (Nom)                    | 1800 mA            |
| Wattage Equivalent                    | 75 W               |
| Starting Time (Nom)                   | 0.5 s              |
| Warm Up Time to 60% Light (Nom)       | instant full light |
| Power Factor (Nom)                    | 0.7                |

# MASTER LEDspot LV AR111

|                                 |        |
|---------------------------------|--------|
| Voltage (Nom)                   | 12 V   |
| <b>Temperature</b>              |        |
| T-Case Maximum (Nom)            | 74 °C  |
| <b>Controls and Dimming</b>     |        |
| Dimmable                        | Yes    |
| <b>Approval and Application</b> |        |
| Energy Efficiency Label (EEL)   | A      |
| Suitable For Accent Lighting    | Yes    |
| Energy Consumption kWh/1000 h   | 17 kWh |

|                                 |                                      |
|---------------------------------|--------------------------------------|
| <b>Product Data</b>             |                                      |
| Full product code               | 871869651518100                      |
| Order product name              | MAS LEDspotLV D 15-75W 930 AR111 24D |
| EAN/UPC - Product               | 8718696515181                        |
| Order code                      | 929001170308                         |
| Numerator - Quantity Per Pack   | 1                                    |
| Numerator - Packs per outer box | 6                                    |
| Material Nr. (12NC)             | 929001170308                         |
| Net Weight (Piece)              | 0.360 kg                             |

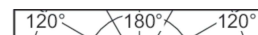
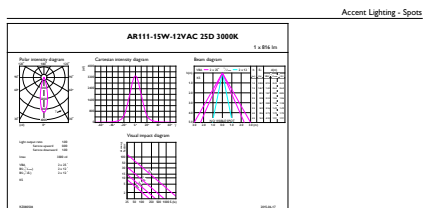
## Dimensional drawing



LED D 15-75W 930 AR111 24D

| Product                              | D      | C     |
|--------------------------------------|--------|-------|
| MAS LEDspotLV D 15-75W 930 AR111 24D | 111 mm | 62 mm |

## Photometric data



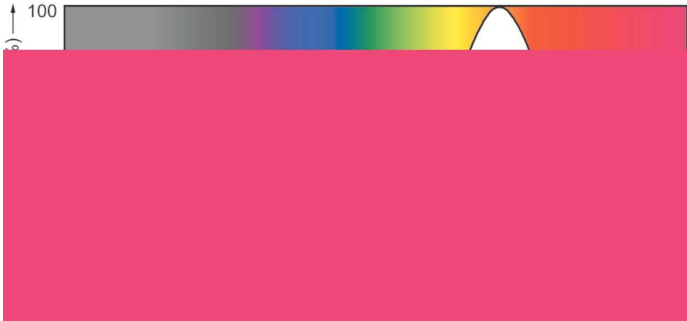
CalcLux Photometrics 4.5 Philips Lighting B.V. Page 1/17

MASTER LEDspot LV AR111 75W G53 930 24D

15-75 W GX53 /930 AR111 24D

# MASTER LEDspot LV AR111

## Photometric data

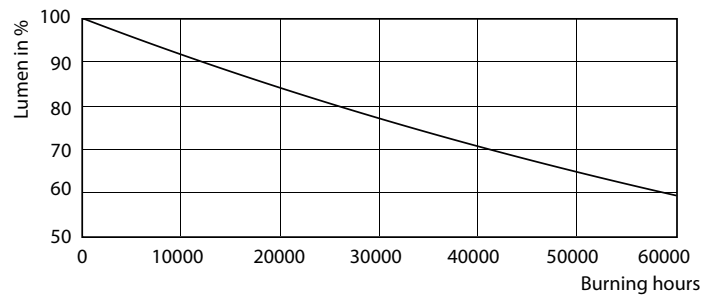


15-75W AR111 /930

## Lifetime



MASTER LEDspotLV AR111 75W G53 940 40D



MASTER LEDspotLV AR111 75W G53 940 40D

