



Dynalite User Interface

PADPE-AA-X

PADPE AntumbraDisplay EU

PADPE AntumbraDisplay EU

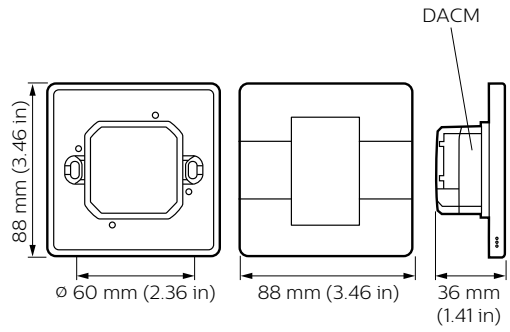
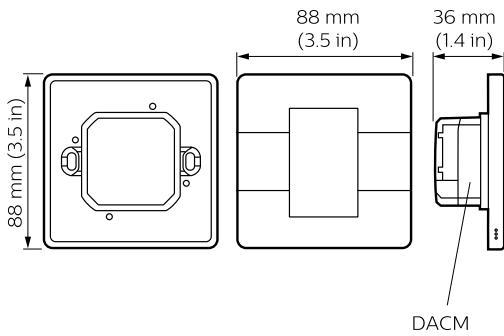
Product data

General Information	
Remarks	Please download the Lighting - Product Data Sheet for more information and ordering options
EU RoHS compliant	Yes
Product Data	
Full product code	871869641178000
Order product name	PADPE-AA-X

EAN/UPC - Product	8718696411780
Order code	913703970807
Numerator - Quantity Per Pack	1
Numerator - Packs per outer box	1
Material Nr. (12NC)	913703970807
Net Weight (Piece)	0.128 kg

Dynalite User Interface

Dimensional drawing



Dynalite User Interfaces

Dynalite User Interfaces

