



Dynalite Integration Devices

DDNG232

RS232 Network Gateway for cost-effective serial port integration

RS232 Network Gateway for cost-effective serial port integration

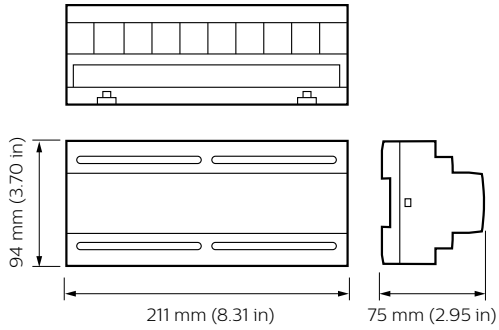
Product data

General Information	
CE mark	CE mark
Remarks	Please download the Lighting - Product Data Sheet for more information and ordering options
EU RoHS compliant	Yes
Application Conditions	
Ambient temperature range	0 to +50 °C
Product Data	
Full product code	871016352254800

Order product name	DDNG232
EAN/UPC - Product	8710163522548
Order code	913703081809
Numerator - Quantity Per Pack	1
Numerator - Packs per outer box	1
Material Nr. (12NC)	913703081809
Net Weight (Piece)	169.000 g

Dynalite Integration Devices

Dimensional drawing



Dynalite System Integration

