

# HF-Regulator II for PL-T/C

## HF-R 218 PL-T/C EII 220-240V 50/60Hz

Compact, high-frequency electronic dimming ballast, using the analog protocol (1-10 V) for PL-T, PL-C and PL-R lamps

### Product data

| General Information                          |                  |
|--|------------------|
| Application Code                             | EII              |
| Type Version                                 | mk3              |
| Lamp Type                                    | PL-T/C           |
| Number of Lamps                              | 2 piece/unit     |
| Number of Products on MCB (16A Type B) (Nom) | 28               |
| Automatic Restart                            | Yes              |
| Operating and Electrical                     |                  |
| Input Voltage                                | 220 to 240 V     |
| Input Frequency                              | 50 to 60 Hz      |
| Operating Frequency (Max)                    | 100 kHz          |
| Operating Frequency (Min)                    | 40 kHz           |
| Ignition Method                              | Programmed Start |
| Crestfactor (Max)                            | 1.7              |
| Power Factor 100% Load (Nom)                 | 0.95             |
| Mains Voltage Performance (AC)               | -8%~+6%          |
| Mains Voltage Safety (AC)                    | -10%~+10%        |
| Earth Leakage Current (Max)                  | 0.5 mA           |
| Inrush Current Width                         | 0.35 ms          |
| Constant Wattage Deviation                   | -2%/+2%          |

| Ballast Factor (Nom)                       | 1.0   |
|--|---|
| Inrush Current Peak (Max)                  | 28 A  |
| Wiring                                     |   |
| Connector Type Input Terminals             | Insert  |
| Cable Capacity Output Wires Mutual (Nom)   | 30 pF   |
| Connector Type Output Terminals            | Insert  |
| Connector Type Control Input Terminals     | Insert  |
| Wire Striplength                           | 7.5-8.5 mm  |
| Dual Fixture Master/Slave                  | Not applicable [ Master/Slave oper. not applicable] |
| Control Input Terminal Cross Section       | 0.50-1.50 mm <sup>2</sup>                           |
| Input Terminal Cross Section               | 0.50-1.50 mm <sup>2</sup>                           |
| Output Terminal Cross Section              | 0.50-1.50 mm <sup>2</sup>                           |
| Cable Capacity Output Wires to Earth (Nom) | 75 pF   |
| System characteristics                     |   |
| Rated Ballast-Lamp Power                   | 18 W  |
| Temperature                                |   |
| T-Ambient (Max)                            | 50 °C   |
| T-Ambient (Min)                            | -20 °C  |

## HF-Regulator II for PL-T/C

|                                   |               |
|-----------------------------------|---------------|
| T-Storage (Max)                   | 80 °C         |
| T-Storage (Min)                   | -25 °C        |
| T-Case Lifetime (Nom)             | 65 °C         |
| T-Case Maximum (Max)              | 75 °C         |
| Stable Lamp Operation Temperature | Not Specified |

### Controls and Dimming

|                          |                        |
|--------------------------|------------------------|
| Control Interface        | 1-10V                  |
| Regulating Level Power   | 1%-100%                |
| Control Input Protection | Yes (Basic insulation) |

### Mechanical and Housing

|         |             |
|---------|-------------|
| Housing | S 123x79x33 |
|---------|-------------|

### Emergency Operation

|                                |           |
|--------------------------------|-----------|
| Battery Voltage Lamp Ignition  | 198-254 V |
| Battery Voltage Lamp Operation | 176-254   |

### Approval and Application

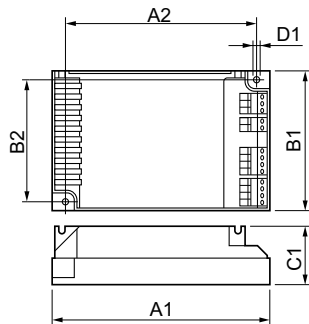
|                         |                                |
|-------------------------|--------------------------------|
| Energy Efficiency Index | A1 BAT                         |
| IP Classification       | IP 20 [ Ingress Protection 20] |
| EMI 9 kHz ... 30 MHz    | EN55015                        |
| EMI 30 MHz ... 1000 MHz | EN55022 level B                |
| Safety Standard         | IEC 61347-2-3                  |
| Performance Standard    | IEC 60929                      |

|                                    |   |
|------------------------------------|---|
| Quality Standard                   | ISO 9000:2000                                   |
| Environmental Standard             | ISO 14001                                       |
| Harmonic Current Emission Standard | IEC 61000-3-2                                   |
| EMC Immunity Standard              | IEC 61547                                       |
| Vibration Standard                 | IEC68-2-6 F c                                   |
| Bumps Standard                     | IEC 68-2-29 Eb                                  |
| Humidity Standard                  | EN 61347-2-3 clause 11                          |
| Approval Marks                     | CE marking ENEC certificate VDE-EMV certificate |
| Temperature Marking                | Not specified                                   |
| Emergency Standard                 | IEC 60598-2-22                                  |
| Hum And Noise Level                | Inaudible                                       |

### Product Data

|                                 |                                      |
|---------------------------------|--------------------------------------|
| Full product code               | 871829117698500                      |
| Order product name              | HF-R 218 PL-T/C EII 220-240V 50/60Hz |
| EAN/UPC - Product               | 8718291176985                        |
| Order code                      | 913700680166                         |
| Numerator - Quantity Per Pack   | 1                                    |
| Numerator - Packs per outer box | 12                                   |
| Material Nr. (12NC)             | 913700680166                         |
| Net Weight (Piece)              | 0.230 kg                             |

## Dimensional drawing



HF-R 218 PL-T/C EII 220-240V 50/60Hz

| Product             | D1     | C1   | A1    | A2    | B1   | B2   |
|---------------------|--------|------|-------|-------|------|------|
| HF-R 218 PL-T/C EII | 4.5 mm | 33.0 | 123.0 | 111.0 | 79.0 | 67.0 |
| 220-240V 50/60Hz    |        | mm   | mm    | mm    | mm   | mm   |

## HF-Regulator II for PL-T/C

