



GreenSpace Accent Projector Gen1

ST320T LED27S/840 PSU WB SI MTS

GREENSPACE ACCENT PROJECTOR - 840 neutral white - Power supply unit - Wide beam - Silver

Thanks to the GreenSpace Accent family, retailers and building operators can now make the switch from CDM to LED and enjoy the benefits of Philips PerfectAccent light quality as well as significant energy savings – all for a reasonable initial investment. GreenSpace Accent Projector’s regular 3C adaptor and specific lumen packages make retrofit installation quick and easy. For fashion and food retailers, GreenSpace Accent Projector is available with special light flavors and LED recipes to show the clothes and fresh food produce on offer in the very best light. Check out our Fashion and Food catalogue pages to find out more about CrispWhite, PremiumWhite, Fresh Food Meat and Fresh Food Champagne.

Product data

General Information			
Beam angle of light source	120 °	Glow-wire test	650/5 [Temperature 650 °C, duration 5 s]
Light source color	840 neutral white	Flammability mark	F [For mounting on normally flammable surfaces]
Light source replaceable	No	CE mark	CE mark
Number of gear units	1 unit	ENEC mark	ENEC mark
Driver/power unit/transformer	PSU [Power supply unit]	Warranty period	5 years
Driver included	Yes	Remarks	*-Per Lighting Europe guidance paper “Evaluating performance of LED based luminaires - January 2018”: statistically there is no relevant difference in lumen maintenance between B50 and for example
Optic type	WB [Wide beam]		
Luminaire light beam spread	38°		
Connection	No [-]		
Cable	-		
Protection class IEC	Safety class II (II)		

GreenSpace Accent Projector Gen1

	B10. Therefore, the median useful life (B50) value also represents the B10 value.
Constant light output	No
Number of products on MCB of 16 A type B	34
EU RoHS compliant	Yes
Service tag	Yes
Product family code	ST320T [GREENSPACE ACCENT PROJECTOR]
Unified glare rating CEN	Not applicable

Operating and Electrical

Input Voltage	220-240 V
Input Frequency	50 to 60 Hz
Inrush current	18.6 A
Inrush time	0.240 ms
Power Factor (Min)	0.9

Controls and Dimming

Dimmable	No
----------	----

Mechanical and Housing

Housing Material	Aluminum
Reflector material	Polycarbonate aluminum coated
Optic material	Polycarbonate
Optical cover/lens material	Polymethyl methacrylate
Fixation material	Polyamide
Optical cover/lens finish	Clear
Overall length	182 mm
Overall width	114 mm
Overall height	193 mm
Color	Silver
Dimensions (Height x Width x Depth)	193 x 114 x 182 mm (7.6 x 4.5 x 7.2 in)

Approval and Application

Ingress protection code	IP20 [Finger-protected]
-------------------------	--------------------------

Mech. impact protection code	IK02 [0.2 J standard]
------------------------------	------------------------

Initial Performance (IEC Compliant)

Initial luminous flux (system flux)	2800 lm
Luminous flux tolerance	+/-10%
Initial LED luminaire efficacy	119.14893617021276 lm/W
Init. Corr. Color Temperature	4000 K
Init. Color Rendering Index	≥80
Initial chromaticity	(0.38, 0.38) SDCM<3
Initial input power	23.5 W
Power consumption tolerance	+/-10%

Over Time Performance (IEC Compliant)

Control gear failure rate at median useful life 50000 h	5 %
Lumen maintenance at median useful life* 50000 h	L80

Application Conditions

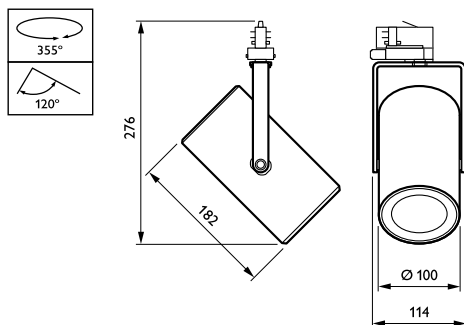
Ambient temperature range	+10 to +40 °C
Performance ambient temperature Tq	25 °C
Maximum dim level	Not applicable
Suitable for random switching	Yes

Product Data

Full product code	871869917192600
Order product name	ST320T LED27S/840 PSU WB SI MTS
EAN/UPC - Product	8718699171926
Order code	910500459718
Numerator - Quantity Per Pack	1
Numerator - Packs per outer box	1
Material Nr. (12NC)	910500459718
Net Weight (Piece)	0.980 kg



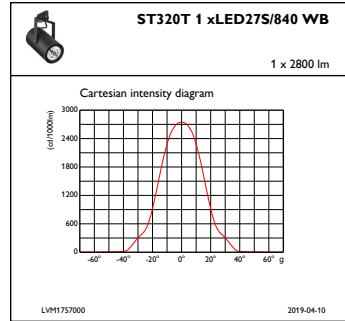
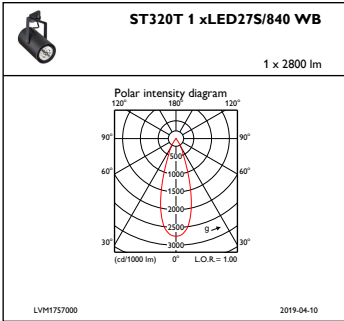
Dimensional drawing



GreenSpace Accent ST315T-ST330T

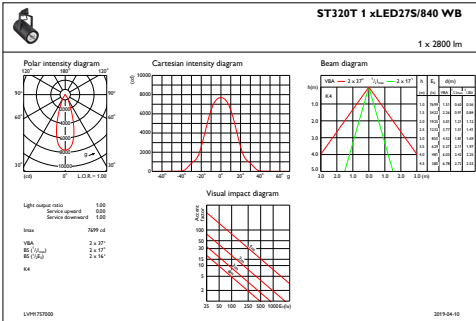
GreenSpace Accent Projector Gen1

Photometric data



IFPC1_ST320T1xLED27S840WB

IFCC1_ST320T1xLED27S840WB



IFAS1_ST320T1xLED27S840WB

