



Smart Halogen Downlight QBS020

QBS025 1x MAX50W/12V-GU5.3 WH

1 pc - GU5.3 - White

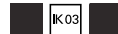
Shop owners opening a new outlet or refurbishing their current installation and contractors looking for attractive propositions for their customers (small/non-chain retailers) now have the ideal solution for impactful, yet affordable accent lighting. Our Smart Halogen Downlight offers customers a choice of different shapes to suit different functions, and the professional finish lends the luminaire an air of contemporary sophistication. Thanks to its robust housing, the Smart Halogen Downlight is a long-lasting solution. Quality clips ensure ease of installation.

Product data

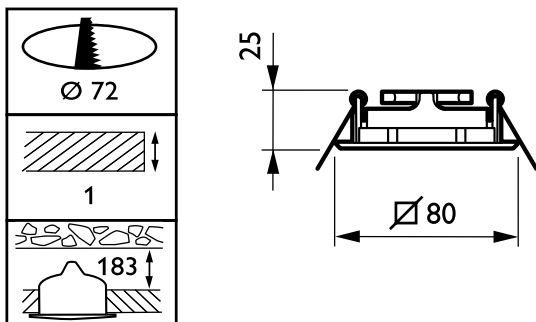
General Information		Dimensions (Height x Width x Depth)	
Number of light sources	1 [1 pc]	322 x 322 x 75 mm (12.7 x 12.7 x 3 in)	
Cap-Base	GU5.3 [GU5.3]	Approval and Application	
Luminaire light beam spread	108°	Ingress protection code	IP20 [Finger-protected]
Protection class IEC	Safety class II (II)	Mech. impact protection code	IK03 [0.3 J]
Operating and Electrical		Application Conditions	
Input Voltage	12 V	Ambient temperature range	-10 to +35 °C
Input Frequency	50 to 60 Hz	Product Data	
Mechanical and Housing		Full product code	910403630265
Overall length	75 mm	Order product name	QBS025 1x MAX50W/12V-GU5.3 WH
Overall width	322 mm	EAN/UPC - Product	6923828687519
Overall height	322 mm	Order code	910403630265
Color	White	Numerator - Quantity Per Pack	1

Smart Halogen Downlight QBS020

Numerator - Packs per outer box	50
Material Nr. (12NC)	910403630265
Net Weight (Piece)	0.134 kg



Dimensional drawing



QBS020 Smart halogen downlight

