



# MASTER LEDspot LV

## MASTER LED 7-50W 940 MR16 60D Dim

Delivering intense accent beam, MASTER LEDspot LV is an ideal retrofit solution for spot lighting. MASTER LEDspot LV is designed to replace halogen or incandescent spots. It realizes natural colors, enables cozy and comfortable ambience for residential, hospitality and emphasizes the beauty of merchandise in retail. New smaller housing provides perfect fitting with majority of luminaires in a market with a MR16 GU 5.3 holder. It not only employs Philips' patented solution to guarantee the broadest possible compatibility with standard 12V halogen electronic transformers, it also delivers high beam intensity which is equivalent to halogen MR16 spots. The dimming function enables to create the desired atmosphere and it works with broad selection of dimmers. Its high SDCM ensure stricter color consistency, that is maintained over product life. MASTER LEDspot LV delivers huge energy savings and minimizes maintenance cost without any compromise on light quality and lifetime, enabling residential and business owners to achieve a return on their investment within short period time.

### Product data

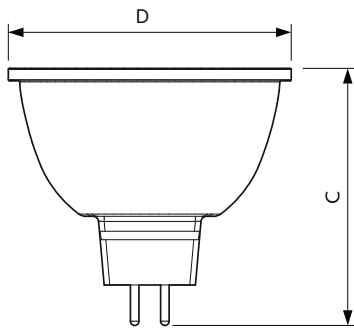
| General Information      |                     | Correlated Color Temperature (Nom)    |            |
|--------------------------|---------------------|---------------------------------------|------------|
| Cap-Base                 | GU5.3 [ GU5.3]      |                                       | 4000 K     |
| EU RoHS compliant        | Yes                 | Luminous Efficacy (rated) (Nom)       | 75.00 lm/W |
| Nominal Lifetime (Nom)   | 40000 h             | Color Consistency                     | <4         |
| Switching Cycle          | 50000X              | Color Rendering Index (Nom)           | 90         |
| Technical Type           | 7-50W               | LLMF At End Of Nominal Lifetime (Nom) | 70 %       |
| Light Technical          |                     | Operating and Electrical              |            |
| Color Code               | 940 [ CCT of 4000K] | Input Frequency                       | - Hz       |
| Beam Angle (Nom)         | 60 °                | Power (Rated) (Nom)                   | 7 W        |
| Luminous Flux (Nom)      | 530 lm              | Lamp Current (Nom)                    | 830 mA     |
| Luminous Intensity (Nom) | 550 cd              | Wattage Equivalent                    | 50 W       |
| Color Designation        | Cool White (CW)     | Starting Time (Nom)                   | 0.5 s      |
|                          |                     | Warm Up Time to 60% Light (Nom)       | 0.5 s      |

# MASTER LEDspot LV

|                                 |                    |
|---------------------------------|--------------------|
| Power Factor (Nom)              | 0.7                |
| Voltage (Nom)                   | 12 V               |
| <b>Temperature</b>              |                    |
| T-Case Maximum (Nom)            | 90 °C              |
| <b>Controls and Dimming</b>     |                    |
| Dimmable                        | Yes                |
| <b>Mechanical and Housing</b>   |                    |
| Bulb Shape                      | MR16 [ 2inch/50mm] |
| <b>Approval and Application</b> |                    |
| Suitable For Accent Lighting    | Yes                |

|                                 |                                   |
|---------------------------------|-----------------------------------|
| Energy Consumption kWh/1000 h   | 8 kWh                             |
| <b>Product Data</b>             |                                   |
| Full product code               | 871869682564800                   |
| Order product name              | MASTER LED 7-50W 940 MR16 60D Dim |
| EAN/UPC - Product               | 8718696825648                     |
| Order code                      | 929001880608                      |
| Numerator - Quantity Per Pack   | 1                                 |
| Numerator - Packs per outer box | 10                                |
| Material Nr. (12NC)             | 929001880608                      |
| Net Weight (Piece)              | 0.052 kg                          |

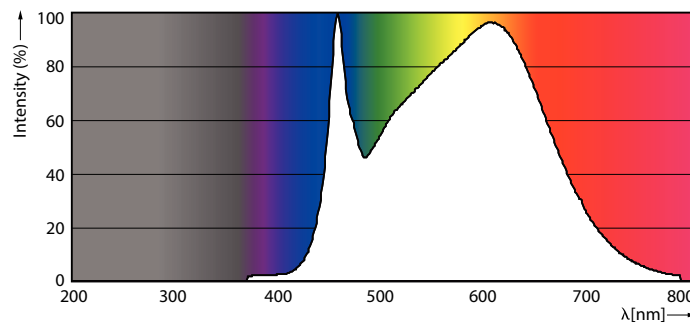
## Dimensional drawing



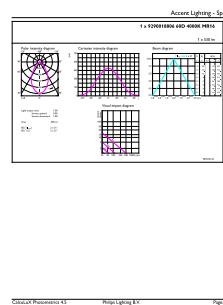
MR16 12V 7-35W 400lm 60D 4000K GU5.3 D

| Product                           | D       | C       |
|-----------------------------------|---------|---------|
| MASTER LED 7-50W 940 MR16 60D Dim | 50.5 mm | 46.5 mm |

## Photometric data



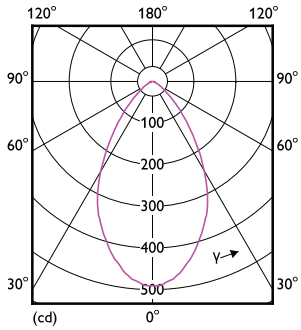
7-50W GU5-3 MR16



7-50W GU5-3 MR16 60D 940 4000K

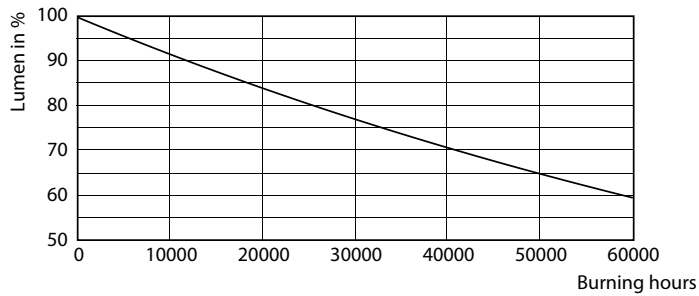
# MASTER LEDspot LV

## Photometric data

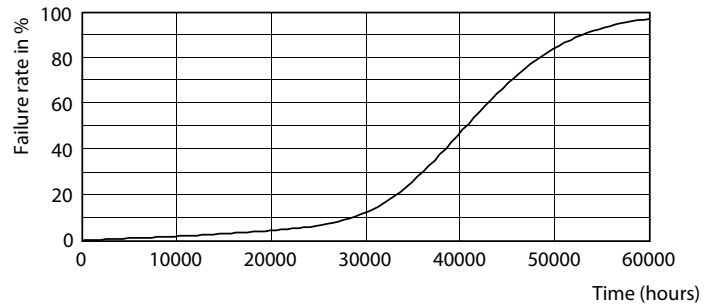


7-50W GU5-3 MR16 60D 940 4000K

## Lifetime



7-50W GU5-3 MR16



7-50W GU5-3 MR16

