



MASTER LEDspot LV

MASTER LED 7-50W 930 MR16 60D Dim

Delivering intense accent beam, MASTER LEDspot LV is an ideal retrofit solution for spot lighting. MASTER LEDspot LV is designed to replace halogen or incandescent spots. It realizes natural colors, enables cozy and comfortable ambience for residential, hospitality and emphasizes the beauty of merchandise in retail. New smaller housing provides perfect fitting with majority of luminaires in a market with a MR16 GU 5.3 holder. It not only employs Philips' patented solution to guarantee the broadest possible compatibility with standard 12V halogen electronic transformers, it also delivers high beam intensity which is equivalent to halogen MR16 spots. The dimming function enables to create the desired atmosphere and it works with broad selection of dimmers. Its high SDCM ensure stricter color consistency, that is maintained over product life. MASTER LEDspot LV delivers huge energy savings and minimizes maintenance cost without any compromise on light quality and lifetime, enabling residential and business owners to achieve a return on their investment within short period time.

Product data

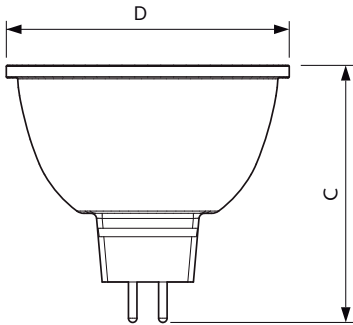
General Information		Operating and Electrical	
Cap-Base	GU5.3 [GU5.3]	Correlated Color Temperature (Nom)	3000 K
EU RoHS compliant	Yes	Luminous Efficacy (rated) (Nom)	71.00 lm/W
Nominal Lifetime (Nom)	40000 h	Color Consistency	<4
Switching Cycle	50000X	Color Rendering Index (Nom)	90
Technical Type	7-50W	LLMF At End Of Nominal Lifetime (Nom)	70 %
Light Technical		Input Frequency	- Hz
Color Code	930 [CCT of 3000K]	Power (Rated) (Nom)	7 W
Beam Angle (Nom)	60 °	Lamp Current (Nom)	830 mA
Luminous Flux (Nom)	500 lm	Wattage Equivalent	50 W
Luminous Intensity (Nom)	500 cd	Starting Time (Nom)	0.5 s
Color Designation	White (WH)	Warm Up Time to 60% Light (Nom)	0.5 s

MASTER LEDspot LV

Power Factor (Nom)	0.7
Voltage (Nom)	12 V
Temperature	
T-Case Maximum (Nom)	90 °C
Controls and Dimming	
Dimmable	Yes
Mechanical and Housing	
Bulb Shape	MR16 [2inch/50mm]
Approval and Application	
Suitable For Accent Lighting	Yes

Energy Consumption kWh/1000 h	8 kWh
Product Data	
Full product code	871869682562400
Order product name	MASTER LED 7-50W 930 MR16 60D Dim
EAN/UPC - Product	8718696825624
Order code	929001880508
Numerator - Quantity Per Pack	1
Numerator - Packs per outer box	10
Material Nr. (12NC)	929001880508
Net Weight (Piece)	0.052 kg

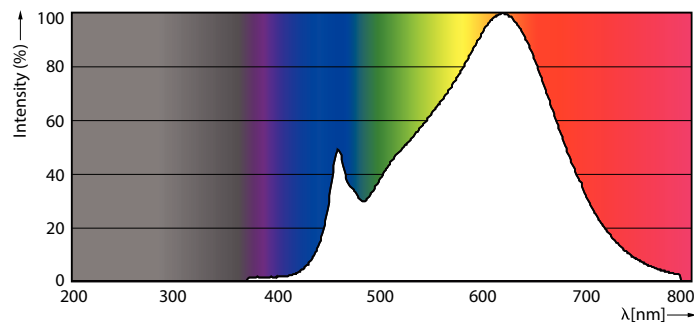
Dimensional drawing



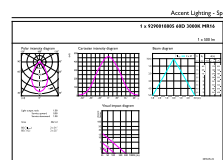
MR16 12V 7-35W 400lm 60D 3000K GU5.3 D

Product	D	C
MASTER LED 7-50W 930 MR16 60D Dim	50.5 mm	46.5 mm

Photometric data



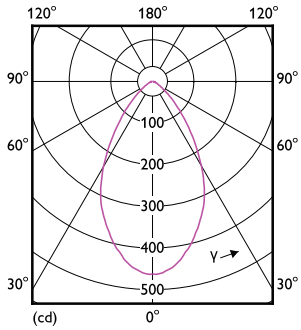
7-50W GU5-3 MR16



7-50W GU5-3 MR16 60D 930 3000K

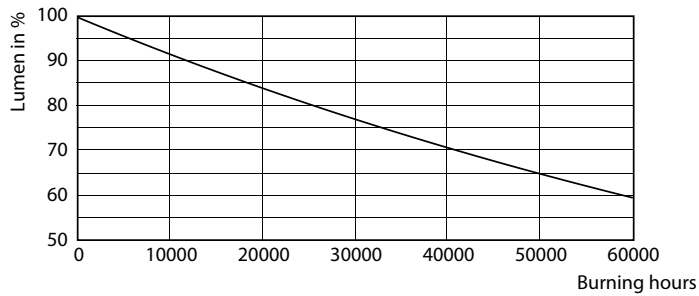
MASTER LEDspot LV

Photometric data

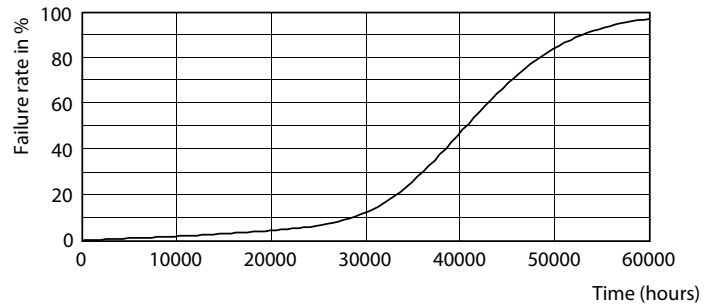


7-50W GU5-3 MR16 60D 927 2700K

Lifetime



7-50W GU5-3 MR16



7-50W GU5-3 MR16

