



MASTER CosmoWhite CPO-TW & CPO-TW Xtra

MASTER CosmoWhite CPO-TW Xtra 140W/728 PGZ12

New-generation ceramic metal halide lamps used in Outdoor offering efficient and pleasant white light

Warnings and Safety

- Use only in totally enclosed luminaire, even during testing (IEC61167, IEC 62035, IEC60598)
- The luminaire must be able to contain hot lamp parts if the lamp ruptures
- Use only with electronic control gear
- Control gear must include end-of-life protection (IEC61167, IEC 62035)
- A lamp breaking is extremely unlikely to have any impact on your health. If a lamp breaks, ventilate the room for 30 minutes and remove the parts, preferably with gloves. Put them in a sealed plastic bag and take it to your local waste facilities for recycling. Do not use a vacuum cleaner.

Product data

General information			
Cap-Base	PGZ12 [PGZ12]	LSF 6000 h Rated	99 %
Operating Position	UNIVERSAL [Universal]	LSF 8000 h Rated	99 %
Life to 5% Failures (Nom)	18000 h	LSF 12000 h Rated	99 %
Life To 10% Failures (Nom)	20000 h	LSF 16000 h Rated	97 %
Life to 20% Failures (Nom)	24000 h	LSF 20000 h Rated	90 %
Life to 50% Failures (Nom)	30000 h	LSF 24000 h Rated	80 %
ANSI Code HID	C189/E	LSF 30000 h Rated	50 %
LSF 2000 h Rated	99 %	Flux measurement reference	Sphere
LSF 4000 h Rated	99 %		

MASTER CosmoWhite CPO-TW & CPO-TW Xtra

Light technical	
Color Code	728 [CCT of 2800K]
Luminous Flux (Nom)	17600 lm
Luminous Flux (Rated) (Nom)	17600 lm
Color Designation	White (WH)
Chromaticity Coordinate X (Nom)	0.447
Chromaticity Coordinate Y (Nom)	0.4
Correlated Color Temperature (Nom)	2800 K
Luminous Efficacy (rated) (Nom)	125 lm/W
Color Rendering Index (Nom)	72
LLMF 2000 h Rated	94 %
LLMF 4000 h Rated	93 %
LLMF 6000 h Rated	92 %
LLMF 8000 h Rated	91 %
LLMF 12000 h Rated	89 %
LLMF 16000 h Rated	88 %
LLMF 20000 h Rated	87 %
LLMF 24000 h Rated	86 %
Ratio Scotopic/Photopic Lumens	1.30

Operating and electrical	
Power (Rated) (Nom)	141.0 W
Ignition Peak Voltage (Max)	5000 V
Re-Ignition Time (Min) (Max)	900 s
Ignition Time (Max)	30 s
Voltage (Max)	100 V
Voltage (Min)	88 V
Voltage (Nom)	94 V

Controls and dimming	
Dimmable	Yes
Run-Up Time 90% (Max)	4 min

Mechanical and housing	
Bulb Finish	Clear

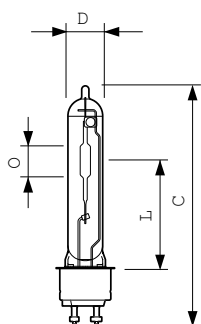
Bulb Shape	T6 [Diameter: 6/8 inch /19mm]
Approval and application	
Energy Efficiency Class	E
Mercury (Hg) Content (Max)	3.9 mg
Mercury (Hg) Content (Nom)	3.9 mg
Energy Consumption kWh/1000 h	141 kWh
EPREL Registration Number	473349

UV	
Pet (Niosh) (Min)	8 h/500lx
Damage Factor D/fc (Nom)	0.14

Luminaire design requirements	
Bulb Temperature (Max)	550 °C
Cap-Base Temperature (Max)	300 °C
Cap-Base Temperature (Max)-DUP(do not use)	572 °F

Product data	
Full product code	871150020853815
Order product name	MASTER CosmoWhite CPO-TW Xtra 140W/728 PGZ12
EAN/UPC - Product	8711500208538
Order code	928088805127
Numerator - Quantity Per Pack	1
Local code description	LAMP COSMOPOLIS WHITE CPOTW140/728
Numerator - Packs per outer box	12
Material Nr. (12NC)	928088805127
Net Weight (Piece)	0.040 kg
ILCOS Code	MT-140/728-H-PGZ12-20/150

Dimensional drawing

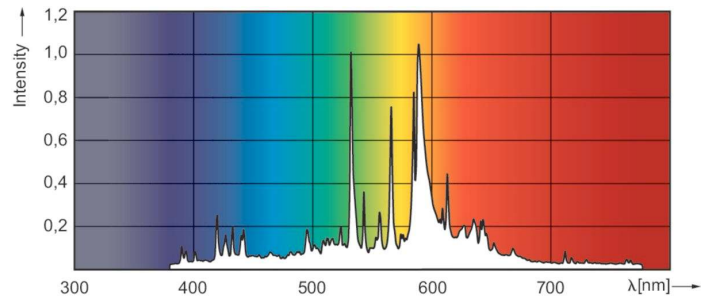
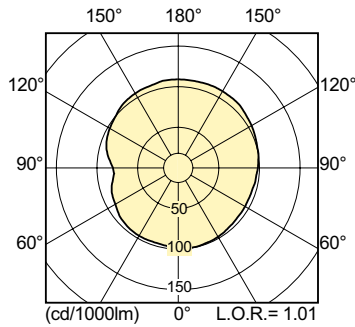


MASTER CosmoWhite CPO-TW Xtra 140W/728 PGZ12

Product	D (max)	D	O	L	C (max)
MASTER CosmoWhite CPO-TW Xtra 140W/728 PGZ12	20 mm	19 mm	22 mm	66 mm	150 mm

MASTER CosmoWhite CPO-TW & CPO-TW Xtra

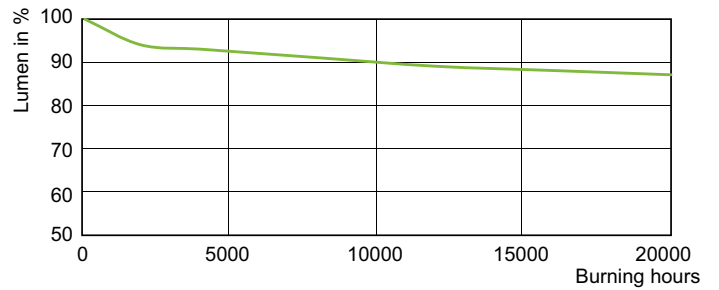
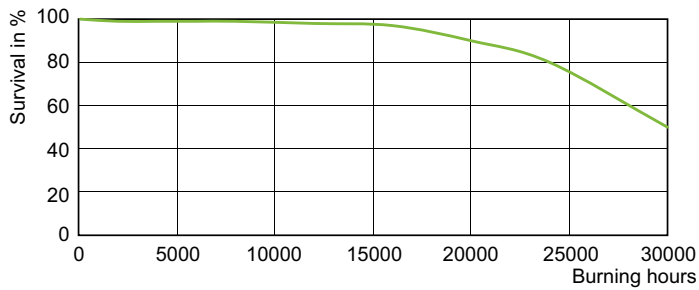
Photometric data



CPO-TW Xtra 140 W /728

MASTER CosmoWhite CPO-TW Xtra 140 W /728

Lifetime



CPO-TW Xtra 140 W Life Expectancy /728

CPO-TW Xtra 140 W Lumen Maintenance /728

