



Dynalite Multipurpose Controllers

DDMC802

Multipurpose Modular Controller to control different load types with one device

Multipurpose Modular Controller to control different load types with one device

Product data

General Information

CE mark	CE mark
Remarks	Please download the Lighting - Product Data Sheet for more information and ordering options
EU RoHS compliant	Yes

Application Conditions

Ambient temperature range	0 to +40 °C
---------------------------	-------------

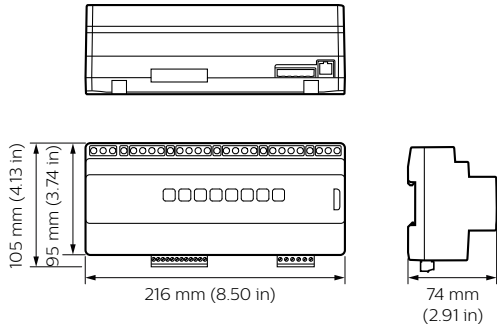
Product Data

Full product code	871869688800100
-------------------	-----------------

Order product name	DDMC802
EAN/UPC - Product	8718696888001
Order code	913703243509
Numerator - Quantity Per Pack	1
Numerator - Packs per outer box	1
Material Nr. (12NC)	913703243509
Net Weight (Piece)	460.000 g

Dynalite Multipurpose Controllers

Dimensional drawing



Dynalite Multipurpose Controllers

