



Dynalite Network Accessories

DTK622-232

Network gateway for passive integration to a PC or RS232 system.

Network gateway for passive integration to a PC or RS232 system.

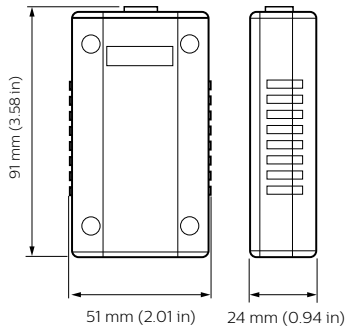
Product data

General information	
CE mark	CE mark
Type description - long text	Network gateway for passive integration to a PC or RS232 system.
Remarks	Please download the Lighting - Product Data Sheet for more information and ordering options
EU RoHS compliant	Yes
Application conditions	
Ambient temperature range	0 to +40 °C

Product data	
Full product code	871016350802300
Order product name	DTK622-232
EAN/UPC - Product	8710163508023
Order code	913703090109
Numerator - Quantity Per Pack	1
Numerator - Packs per outer box	1
Material Nr. (12NC)	913703090109
Net Weight (Piece)	0.230 kg

Dynalite Network Accessories

Dimensional drawing



DTK622-232

