



# Dynalite Integration Devices

## DPMI940-D

Four-way dry contact DALI interface

Four-way dry contact DALI interface

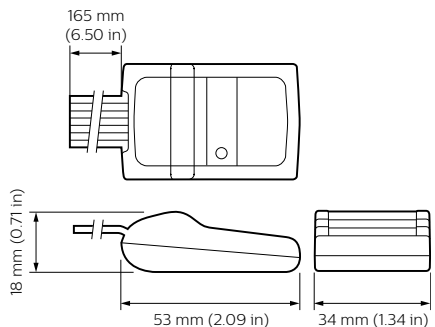
### Product data

| General information       |   |
|---------------------------|---|
| CE mark                   | CE mark   |
| Remarks                   | Please download the Lighting - Product Data Sheet for more information and ordering options |
| EU RoHS compliant         | Yes   |
| Application conditions    |   |
| Ambient temperature range | 0 to +50 °C   |
| Product data              |   |
| Full product code         | 871016352366800   |

|                                 |               |
|---------------------------------|---------------|
| Order product name              | DPMI940-D     |
| EAN/UPC - Product               | 8710163523668 |
| Order code                      | 913703080609  |
| Numerator - Quantity Per Pack   | 1             |
| Numerator - Packs per outer box | 1             |
| Material Nr. (12NC)             | 913703080609  |
| Net Weight (Piece)              | 29.000 g      |

## Dynalite Integration Devices

### Dimensional drawing



DPMI940-D

