



Dynalite Integration Devices

DDNGKNX

KNX Network Gateway providing high level KNX integration

Product data

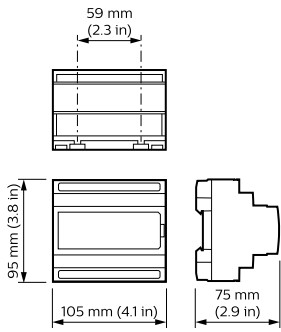
General information	
CE mark	CE mark
Type description - long text	KNX Network Gateway providing high level KNX integration
Remarks	Please download the Lighting - Product Data Sheet for more information and ordering options
EU RoHS compliant	Yes

Product data	
Full product code	871016352342200

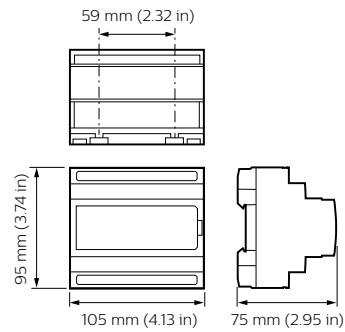
Order product name	DDNGKNX
EAN/UPC - Product	8710163523422
Order code	913703080509
Numerator - Quantity Per Pack	1
Numerator - Packs per outer box	1
Material Nr. (12NC)	913703080509
Net Weight (Piece)	0.150 kg

Dynalite Integration Devices

Dimensional drawing



DDNGKNX



DDNGKNX

