



Dynalite Sensors

DUS804CS-UP

Surface mount ceiling sensor with ultrasonic capability

Surface mount ceiling sensor with ultrasonic capability

Product data

General information	
CE mark	CE mark
Type description - long text	Surface mount ceiling sensor with ultrasonic capability
Remarks	Please download the Lighting - Product Data Sheet for more information and ordering options
EU RoHS compliant	Yes

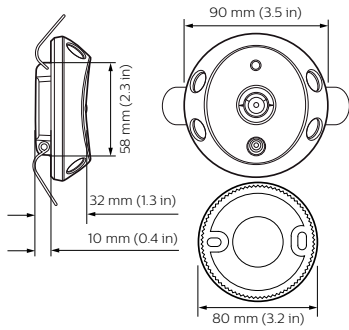
Application conditions	
Ambient temperature range	0 to +45 °C

Product data	
Full product code	871016352202900

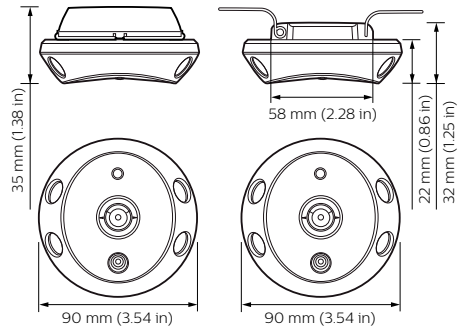
Order product name	DUS804CS-UP
EAN/UPC - Product	8710163522029
Order code	913703070409
Numerator - Quantity Per Pack	1
Numerator - Packs per outer box	1
Material Nr. (12NC)	913703070409
Net Weight (Piece)	83.500 g

Dynalite Sensors

Dimensional drawing



DUS804CS-UP



DUS804CS-UP

