



# Dynalite Network Accessories

## DMAL120F

Active Load to improve dimming performance and reduce lamp flicker

Active Load to improve dimming performance and reduce lamp flicker

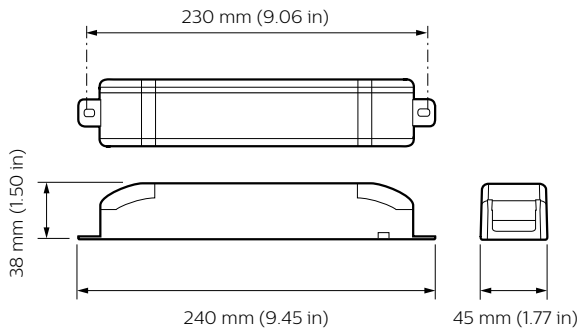
### Product data

General information	
CE mark	CE mark
Type description - long text	Active Load to improve dimming performance and reduce lamp flicker
Remarks	Please download the Lighting - Product Data Sheet for more information and ordering options
EU RoHS compliant	Yes
Application conditions	
Ambient temperature range	0 to +60 °C

Product data	
Full product code	871869600143100
Order product name	DMAL120F
EAN/UPC - Product	8718696001431
Order code	913703061609
Numerator - Quantity Per Pack	1
Numerator - Packs per outer box	1
Material Nr. (12NC)	913703061609
Net Weight (Piece)	118.000 g

## Dynalite Network Accessories

### Dimensional drawing



DMAL120F

