



HF-Regulator II for PL-T/C

HF-R 2 26-42 PL-T/C EII 220-240V 50/60Hz

Compact, high-frequency electronic dimming ballast, using the analog protocol (1-10 V) for PL-T, PL-C and PL-R lamps

Product data

General information		Constant Wattage Deviation	
Application Code	EII	Constant Wattage Deviation	-2%/+2%
Type Version	mk3	Ballast Factor (Nom)	0.99
Lamp Type	PL-T/C	Power Losses (Nom)	6.5-7.5 W
Number of Lamps	2 piece/unit	Inrush Current Peak (Max)	45 A
Number of Products on MCB (16A Type B) (Nom)	12	Efficiency at full load [%]	93.58 %
Automatic Restart	Yes	Wiring	
Operating and electrical		Connector Type Input Terminals	Insert
Input Voltage	220 to 240 V	Cable Capacity Output Wires Mutual (Nom)	30 pF
Input Frequency	50 to 60 Hz	Connector Type Output Terminals	Insert
Operating Frequency (Max)	100 kHz	Connector Type Control Input Terminals	Insert
Operating Frequency (Min)	40 kHz	Wire Striplength	7.5-8.5 mm
Ignition Method	Programmed Start	Dual Fixture Master/Slave	Not advisable [Master/Slave operation not advised]
Crestfactor (Max)	1.7	Control Input Terminal Cross Section	0.50-1.50 mm ²
Power Factor 100% Load (Nom)	0.95	Input Terminal Cross Section	0.50-1.50 mm ²
Ignition Time (Max)	1.5 s	Output Terminal Cross Section	0.50-1.50 mm ²
Mains Voltage Performance (AC)	-8%-+6%	Cable Capacity Output Wires to Earth (Nom)	75 pF
Mains Voltage Safety (AC)	-10%-+10%	System characteristics	
Earth Leakage Current (Max)	0.5 mA	Rated Ballast-Lamp Power	26-42 W
Inrush Current Width	0.35 ms		

HF-Regulator II for PL-T/C

Temperature	
T-Ambient (Max)	50 °C
T-Ambient (Min)	-20 °C
T-Storage (Max)	80 °C
T-Storage (Min)	-25 °C
T-Case Lifetime (Nom)	65 °C
T-Case Maximum (Max)	75 °C
Stable Lamp Operation Temperature	Not Specified
T-Ignition (Max)	50 °C
T-Ignition (Min)	0 °C

Controls and dimming	
Control Interface	1-10V
Regulating Level Power	1%-100%
Control Input Protection	Yes (Basic insulation)

Mechanical and housing	
Housing	S 123x79x33

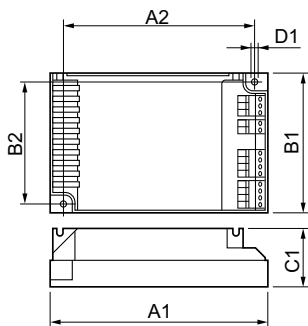
Emergency operation	
Battery Voltage Lamp Ignition	198-254 V
Battery Voltage Lamp Operation	176-254

Approval and application	
Energy Efficiency Index	A1 BAT
IP Classification	IP 20 [Ingress Protection 20]
EMI 9 kHz ... 30 MHz	EN55015
EMI 30 MHz ... 1000 MHz	EN55022 level B

Safety Standard	IEC 61347-2-3
Performance Standard	IEC 60929
Quality Standard	ISO 9000:2000
Environmental Standard	ISO 14001
Harmonic Current Emission Standard	IEC 61000-3-2
EMC Immunity Standard	IEC 61547
Vibration Standard	IEC68-2-6 F c
Bumps Standard	IEC 68-2-29 Eb
Humidity Standard	EN 61347-2-3 clause 11
Approval Marks	CE marking ENEC certificate VDE-EMV certificate
Temperature Marking	Yes
Emergency Standard	IEC 60598-2-22
Hum And Noise Level	Inaudible

Product data	
Full product code	872790080972500
Order product name	HF-R 2 26-42 PL-T/C EII 220-240V 50/60Hz
EAN/UPC - Product	8711500880758
Order code	913700626566
Numerator - Quantity Per Pack	1
Numerator - Packs per outer box	12
Material Nr. (12NC)	913700626566
Copy Net Weight (Piece)	0.230 kg

Dimensional drawing



HF-R 2 26-42 PL-T/C EII 220-240V 50/60Hz

Product	D1	C1	A1	A2	B1	B2
HF-R 2 26-42 PL-T/C	4.5 mm	33.0	123.0	111.0	79.0	67.0
EII 220-240V 50/60Hz		mm	mm	mm	mm	mm

HF-Regulator II for PL-T/C

