

Description

Electronic transformers

A high frequency electronic transformer for operation with 12V halogen lamps. It is fully IEC compliant with unique compact size and light weight

Benefits

- High efficiency compared with magnetic transformer
- Flexible dimming with leading and trailing edge dimmers
- Environment friendly without Hum and Noise (<lt/>30dB at 1m distance)
- Easy lumi design with compact dimension

Features

- One universal driver which cover all market in APR (220~240V, 50/60Hz)
- Overheating protection
- Quick ignition time (<lt/>0.8s)
- 20k Hours @Tc=65°C with 90% survival
- Lead wire
- <gt/>0.95 power factor
- SELV

Application

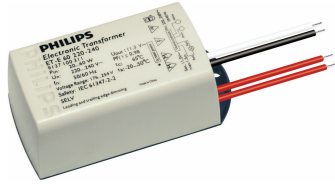
- Indoor residential: living rooms, decorative and accent lighting
- In professional areas: reception areas, offices, retail area and exhibition rooms

Warnings and Safety

- Transformer is not suitable for DC operation

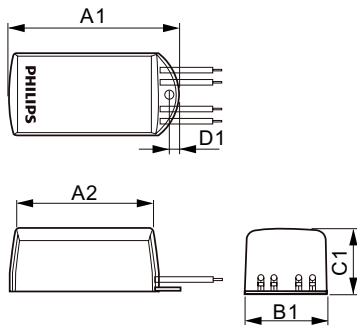
Electronic transformers

Versions



GPPR ET-E 0001

Dimensional drawing



Product	D1	C1	A1	B1
ET-E 60 220-240V 50/60Hz	4.4 mm	24.5 mm	76.0 mm	38.0 mm

