



# Sophisticated yet simple energy-efficient lighting control solutions

## Dynalite Sensors

The Dynalite sensor range combines motion detection, light level detection and IR receive in one unit. Each of these features can be operated at the same time, allowing automation scenarios such as turning on the lights after detecting motion and then dimming the lighting level once the available sunlight has been measured, thereby providing additional energy savings. By combining each of these functions into one device, operational efficiency is improved. Each sensor has an in-built microprocessor, allowing logical functions to control one small room, the floor of a building, or an entire building. All sensors receive their power from the DyNet network, and as they are fully remotely programmable, they can be configured to automate and control a virtually unlimited number of controlled outputs.

### Benefits

- Reduces the need for many different types of sensors, thereby preventing ceiling clutter
- Combines motion detection, light level detection and IR receive in one unit, thus improving efficiency

### Application

- Retail and Hospitality, Office and Industry
- Public spaces, Stadiums and multi-purpose Event Centers
- Residential

# Dynalite Sensors

## Versions

DUS804C-UP Multifunction  
Sensor



DUS90CS and DUS30CS wall  
mounted



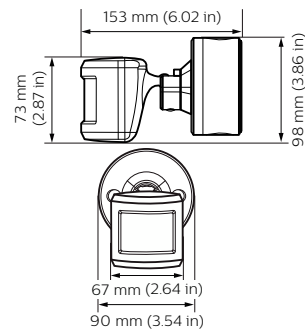
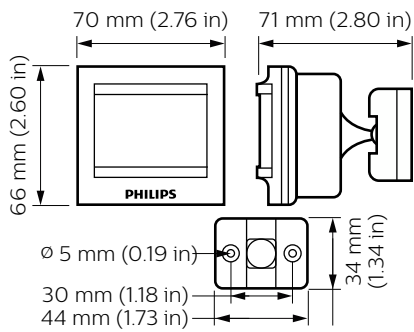
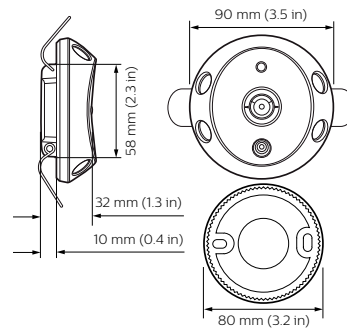
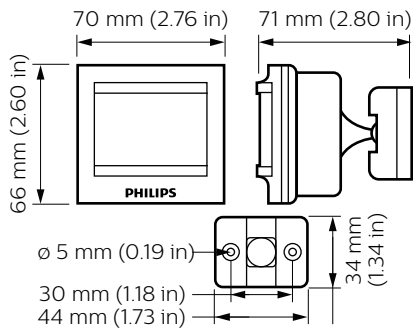
Sensor



DUS360CS(-DALI) Surface mount  
360° ceiling sensor

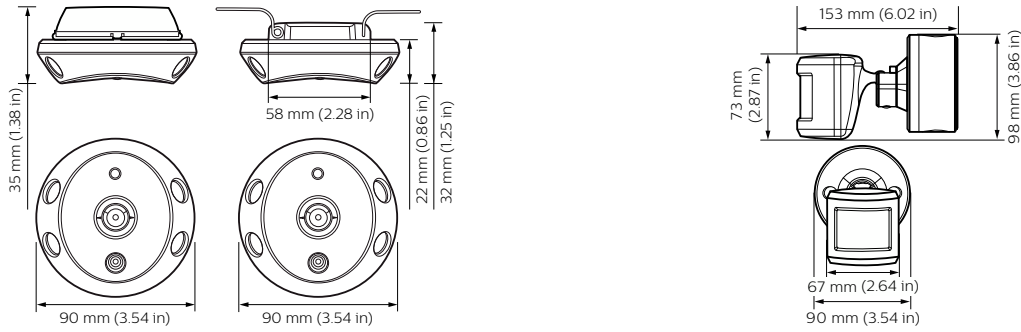


## Dimensional drawing



# Dynalite Sensors

## Dimensional drawing



## Product details

**DUS360CS(-DALI) Surface mount  
360° ceiling sensor**



**DUS90CS / DUS30CS wall  
mounted**

